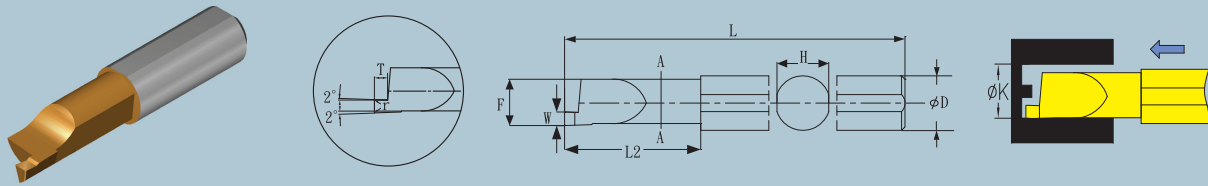
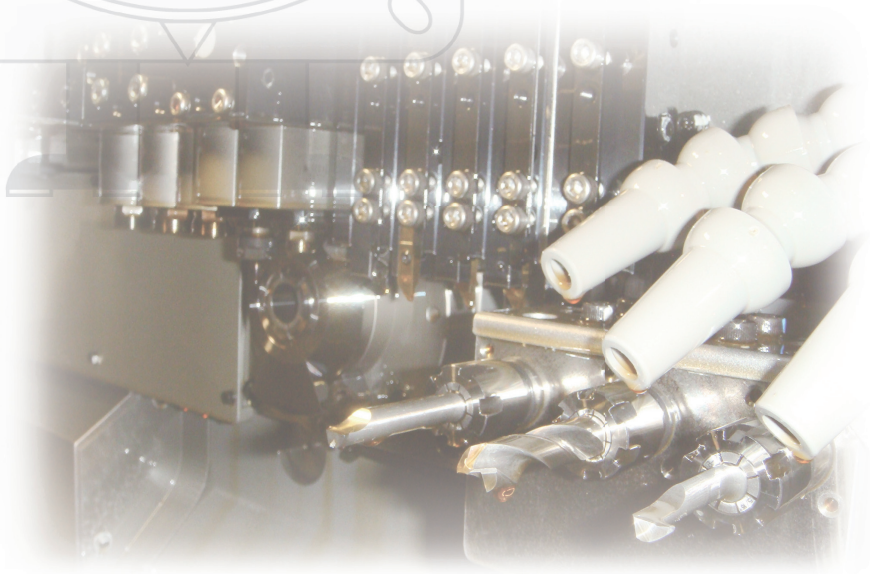


平面槽刀 Micro Internal Face Grooving

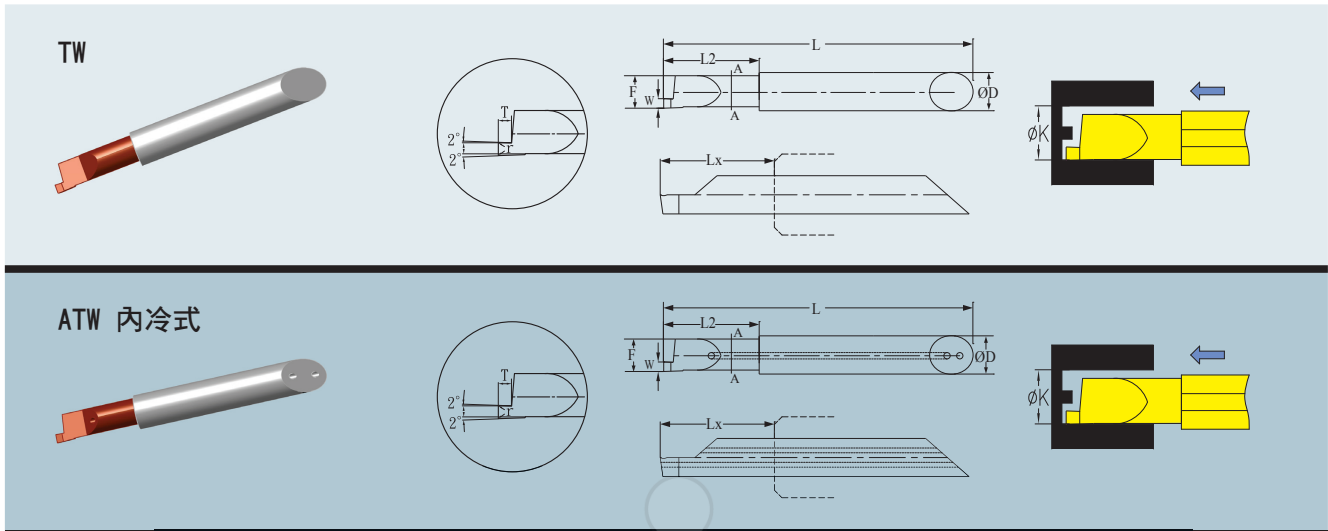


型號 EDP NO.	ØK	F	W/F _{0.03}	T	L2	L	r	ØD	在庫 stock	適用套筒 Applicable Sleeve
73.6020-10	6	5.8	1.0	2.0	20	55	0.1	6	●	SP.250-06** SP.5650-06**
73.6020-15	6	5.8	1.5	2.0	20	55	0.1	6		
73.6020-20	6	5.8	2.0	3.0	20	55	0.2	6	●	
73.8025-10	8	7.8	1.0	2.0	25	65	0.1	8	●	SP.250-08** SP.5650-08**
73.8025-15	8	7.8	1.5	3.0	25	65	0.2	8		
73.8025-20	8	7.8	2.0	3.0	25	65	0.2	8	●	
73.8025-30	8	7.8	3.0	4.0	25	65	0.2	8		
73.10030-10	10	9.8	1.0	2.0	30	75	0.1	10	●	SP.250-10** SP.5650-10**
73.10030-15	10	9.8	1.5	3.0	30	75	0.2	10		
73.10030-20	10	9.8	2.0	4.0	30	75	0.2	10	●	
73.10030-30	10	9.8	3.0	5.0	30	75	0.3	10	●	
73.12035-10	12	11.7	1.0	2.0	35	80	0.1	12		SP.250-12** SP.5650-12**
73.12035-20	12	11.7	2.0	4.0	35	80	0.2	12		
73.12035-30	12	11.7	3.0	5.0	35	80	0.3	12		
73.16045-10	16	15.7	1.0	2.0	45	100	0.1	16		SP.250-16** SP.5650-16**
73.16045-20	16	15.7	2.0	4.0	45	100	0.2	16		
73.16045-30	16	15.7	3.0	5.0	45	100	0.3	16		
73.16045-40	16	15.7	4.0	6.0	45	100	0.3	16		

無"●"標示者為訂製品。Without "●" marking means custom products.
 有"●"標示者為在庫品。With "●" marking means items in stock.



平面槽刀 Micro Internal Face Grooving



型號 EDP NO.	內冷式 型號 EDP NO.	ØK	F	W±0.03	T	L2	Lx	r	ØD	在庫 stock	適用 套筒 Applicable Sleeve
TW 73.4010-10	ATW 73.4010-10	4	3.8	1.0	2.0	10	12	0.1	4		SP.380-04**
TW 73.4010-15	ATW 73.4010-15	4	3.8	1.5	3.0	10	12	0.2	4		
TW 73.4010-20	ATW 73.4010-20	4	3.8	2.0	3.0	10	12	0.2	4		
TW 73.6020-10	ATW 73.6020-10	6	5.8	1.0	2.0	20	23	0.1	6		SP.380-06**
TW 73.6020-15	ATW 73.6020-15	6	5.8	1.5	3.0	20	23	0.2	6		
TW 73.6020-20	ATW 73.6020-20	6	5.8	2.0	3.0	20	23	0.2	6		
TW 73.8025-10	ATW 73.8025-10	8	7.8	1.0	2.0	25	28	0.1	8		SP.380-08**
TW 73.8025-15	ATW 73.8025-15	8	7.8	1.5	3.0	25	28	0.2	8		
TW 73.8025-20	ATW 73.8025-20	8	7.8	2.0	3.0	25	28	0.2	8		
TW 73.8025-25	ATW 73.8025-25	8	7.8	2.5	4.0	25	28	0.2	8		
TW 73.8025-30	ATW 73.8025-30	8	7.8	3.0	4.0	25	28	0.3	8		

無"●"標示者為訂製品。Without "●" marking means custom products.
 有"●"標示者為在庫品。With "●" marking means items in stock.